

Product Specification and Applicable Range

Power source	AC 110V~AC 220V 60Hz
Power wire length	100 cm
Applicable water pressure	0.5~5 kgf/cm ² 1~5 kgf/cm ²
Response time of Sensing	About 1 second
Outflow volume	5L/min (1kgf/cm ²) or more
Delay water stop time	About 1 second
Inflow pipe diameter	PF1/2
Applicable water temperature	5°C~65°C
Applicable surrounding temperature	5°C~50°C
Applicable basin type	Single hole (bore diameter 35 - 45mm)

This machine has 60 seconds automatic water stop protection device.

AUTOMATIC FAUCET

Installation and Operation Manual

Cautions:

- Please read this manual carefully before installation and use.
- After installation, please give this manual to the customer.

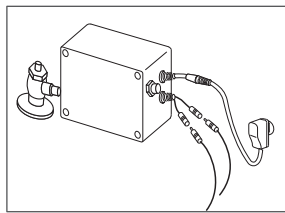
AC
101

7

Routine Check and Maintenance

●Daily check and maintenance

- 1.The sensing window shall be kept clean and avoid any strong acid or strong alkaline agent, and do not scratch on the surface.
- 2.Faucet and solenoid box have precise electronic parts, please use cotton cloth to dip mild detergent to clean. Do not use scrub or hard brush to clean to avoid scratching the surface of the faucet.
- 3.Please clean the filter of the filter water stopper each 3-6 months to avoid the water volume being smaller or clogged.

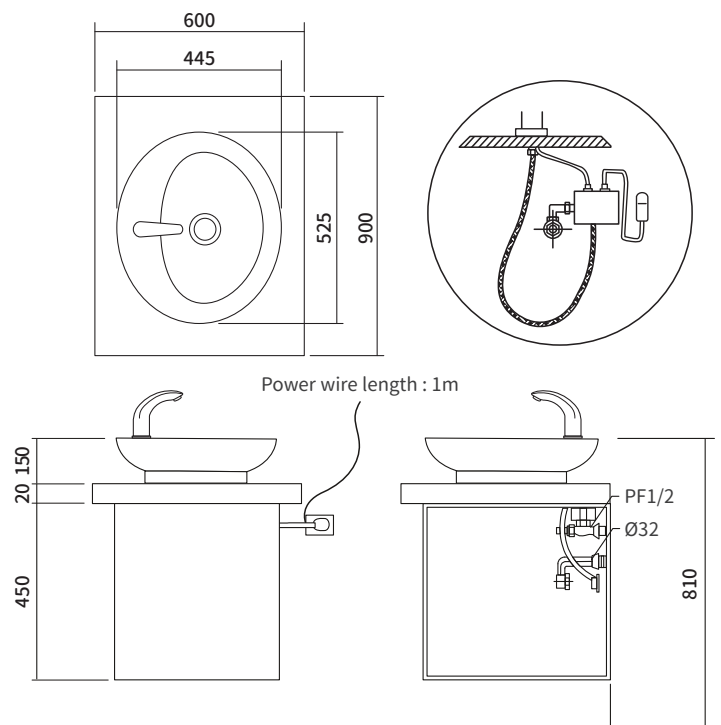


Troubleshooting and Treatment

Problem	Possible cause	Treatment
Water flow not stopped.	1.Sensing window is dirty.	Clean the sensing window with soft cloth or tissue paper.
	2.Solenoid is clogged.	Please call our service personnel.
Not activated. (Sensor lit)	1. Solenoid terminal is not connected.	Connect the solenoid terminal again.
	2.Solenoid is broken.	Please call our service personnel.
Not activated (Sensor not lit)	1.Power supply plug is not inserted. (AC)	Insert the plug.
	2.Circuit is broken.	Please call our service personnel.
	3.The object sensing more than 1 min.	Please remove the object.
Water flow turns smaller	1.Water inflow is too small.	Turn the triangle valve inflow bigger (Refer to instruction of the adjustment)
	2.Filter water stopper is clogged.	Please clean the impurities on the filter water stopper (Refer to routine check).

5

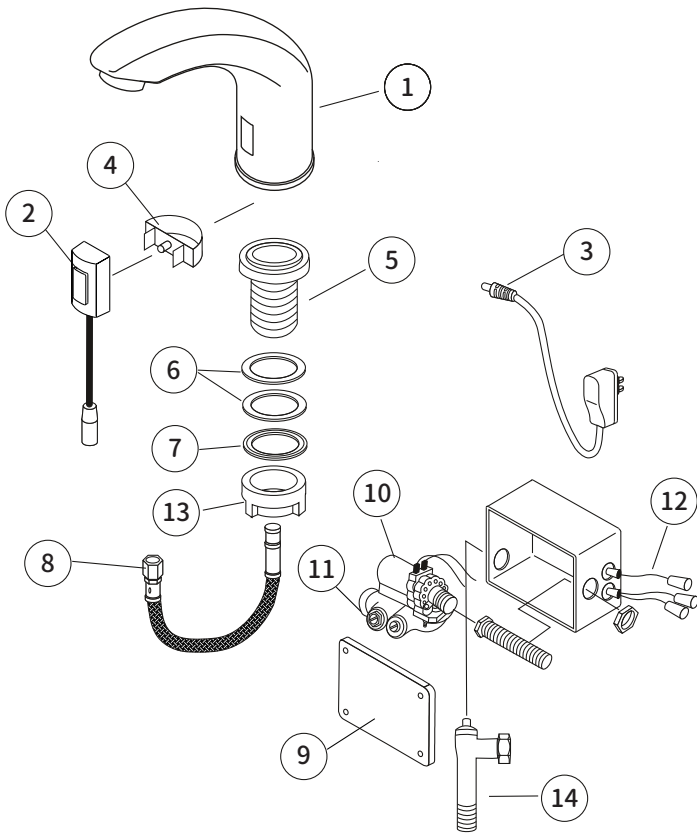
Installation Size Diagram



- ※ Please reserve the power socket for it as shown above diagram.
- ※ The efficient length of the inflow high-pressure soft hose is 50/70 cm, please install as shown.
- ※ To ensure safety, the power socket in the bathroom or restroom, please add an electricity-leaking breaker at the power switch box.

6

AC Single Hole Product Parts Disassemble Diagram



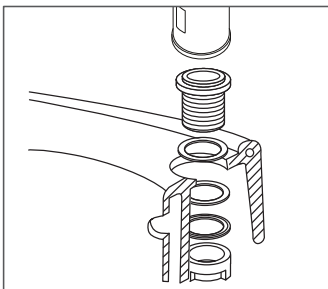
1

AC single hole parts table

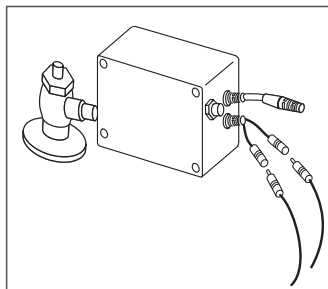
Item	Description	Spec.	Q'ty	Remarks
1	Faucet main body	Brass	1	
2	Sensor	Electronic	1	
3	Power supply	Electronic	1	
4	Sensor holder	Stainless steel	1	
5	Adapter	Brass	1	
6	Washer	Rubber	2	
7	Plane slide	Stainless steel	1	
8	High pressure steel thread connecting pipe	Stainless steel	1	
9	Control box upper and lower cover	Plastic	1	
10	Solenoid	POM Plastic	1	
11	Inlet and outlet cross valve body	Brass	1	
12	Solenoid control line	Brass/Plastic	1	
13	Fixed nut	Plastic	2	
14	Triangular	Brass	1	

2

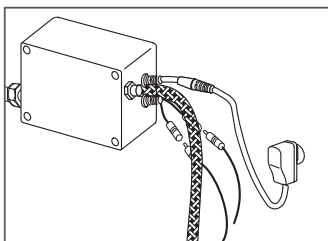
Installation sequence



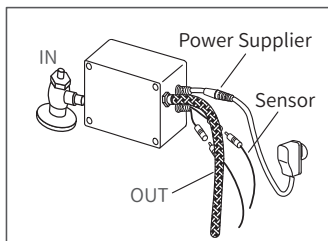
1. Tighten the faucet main body onto the ceramic with positioning nuts.



2. Fix the solenoid box onto the triangle valve.
3. Connect the high-pressure soft hose to the connector of the solenoid set.



4. Connect the power supply line and the induction line, the arrow of the sensing line is aligned with the arrow of the socket and then inserted.



5. Lock the waterproof terminal and test it is normal. (Please refer to Page 4 the instruction for operation)
※Please plug in the power then do the test.

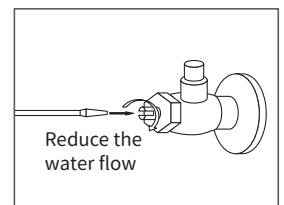
3

Adjustment

Adjustment of the water flow:

Use the one-recess head screwdriver to adjust the required water flow at triangle valve.

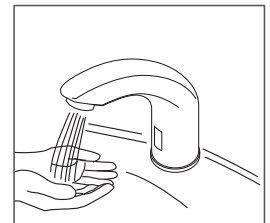
Clockwise — Reduce the water flow
Counterclockwise — Increase the water flow



Instruction for Operation

●Instruction for Operation:

- Put the hands under the faucet and the water will come out automatically.
- After the hands left the faucet for 1 second, water will stop.
- When it is used continuously more than 1 minute, the water will stop automatically.



※Avoid installing at the place of direct sunshine.

※Please do not knock the main body, or hang the heavy things on it.

※Please do not block the water discharge outlet (such as: towel).

4